

# FLD2 SERIES OUTDOOR LIGHTING

FLD2-28W-30K-D-KN  
FLD2-28W-50K-D-KN



Selection:

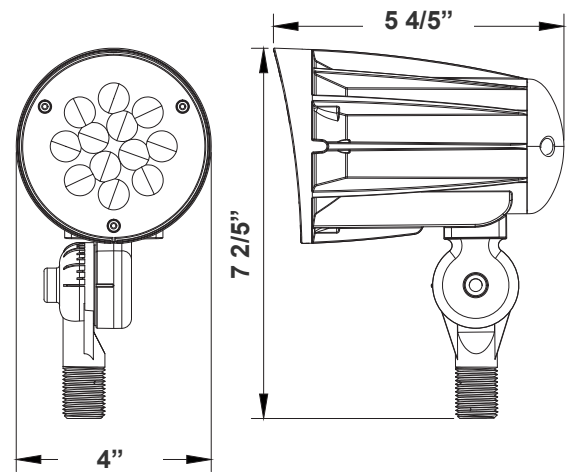


Customer Name: \_\_\_\_\_

Project Name: \_\_\_\_\_

Note: \_\_\_\_\_

Type: \_\_\_\_\_



7 2/5"(H) x 4"(W) x 5 4/5"(D)

Ideal for general site lighting, alleys, loading docks, doorway, pathway, and parking areas. Great for use with motion sensors and another instant on/off controls.

## Features

- Die-cast Aluminum Housing with Powder Coat Finish (Dark Bronze)
- 1/2" Threaded Knuckle Stem
- 7-Year Warranty
- Lens Type: Plaid Tempered Glass + Aluminum Reflectors

## Technical Specifications

### Electrical:

- Voltage: 120-277V
- Power Factor: >0.9
- Wattage: 28W
- Efficacy: 125 LPW

### Mechanical:

- Die-cast Aluminum Housing with Powder Coat Finish (Dark Bronze)
- Cord type: 18" SJTW 18/3 AWG cable
- 1/2" Threaded Knuckle Stem
- Operating Temperature: -40°F to 104°F
- IP Rating: IP65
- Suitable for Wet Locations
- Rotatable Shroud with Set Screw
- 7-Year Warranty

### Lighting:

- Dimming: 0-10V Dimming
- Lens Type: Plaid Tempered Glass + Aluminum Reflectors
- LED: Philips LUMILEDs
- Total Lumens: 3500 LM
- Color Temperatures: 3000K/ 5000K
- Color Rendering Index: CRI ≥ 80
- Beam Angle: 35°
- Lifespan: 70,000 Hrs.

### Applications:

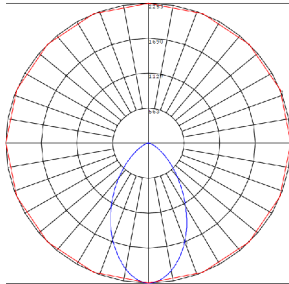
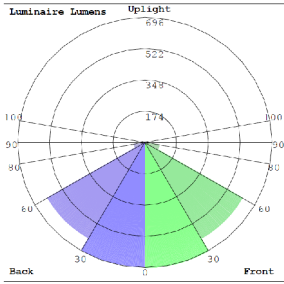
- Ideal for general site lighting, alleys, loading docks, doorway, pathway, and parking areas. Great for use with motion sensors and another instant on/off controls.

### Other Models:

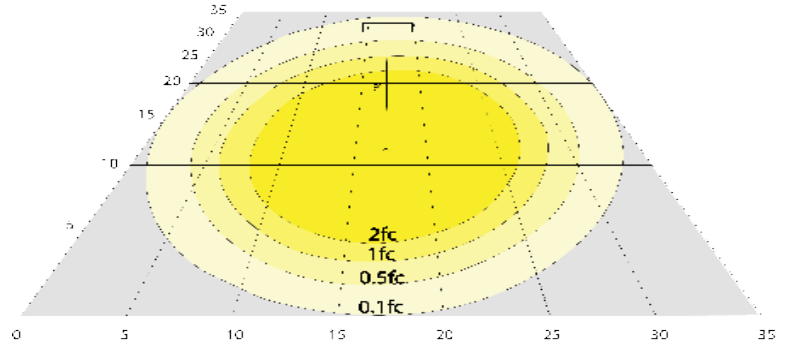
- 15W | 1900LM | FLD2-15W-30K-D-KN
- 15W | 1900LM | FLD2-15W-50K-D-KN
- 42W | 5200LM | FLD2-42W-30K-D-KN
- 42W | 5200LM | FLD2-42W-50K-D-KN



## Photometrics: FLD2-28W-D-KN



BUG Rating: B2-U1-G0



28W 3000K, Area 35'x 35' Mounting Height: 9'

## Other Views:



Side View



Front View



Back View

## Performance Table: FLD2-28W-D-KN

MODEL NO.	Wattage	Voltage	Lumens	Color Temp.	BUG Rating	LPW
FLD2-28W-30K-D-KN	28W	120-277V	3500LM	3000K	B2-U1-G0	125
FLD2-28W-50K-D-KN	28W	120-277V	3500LM	5000K	B2-U1-G0	125

## Sample Ordering

Model	Watt	Color Temp.	Dimming	Mounting
FLD2	28W	30K = 3000K 50K = 5000K	D	KN

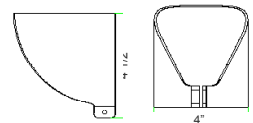
## ACCESSORY:

Blank = No Option For Accessories  
FL-SH2 = Rotatable Shroud with Set Screw Fits FLD2-28W, FLV12-12W & 24W

## ACCESSORIES:



**FL-SH2**  
Fits FLD2-28W, FLV12-12W & 24W



**FL-SH2**  
4" x 4 1/2"

## Example:

1. FLD2-28W-30K-D-KN (FOR FLD2 28W 30K FIXTURE 120-277V)
2. FLD2-28W-30K-D-KN (FOR FLD2 28W 30K FIXTURE 120-277V)  
FL-SH2 (Fits FLD2-28W, FLV12-12W & 24W)

